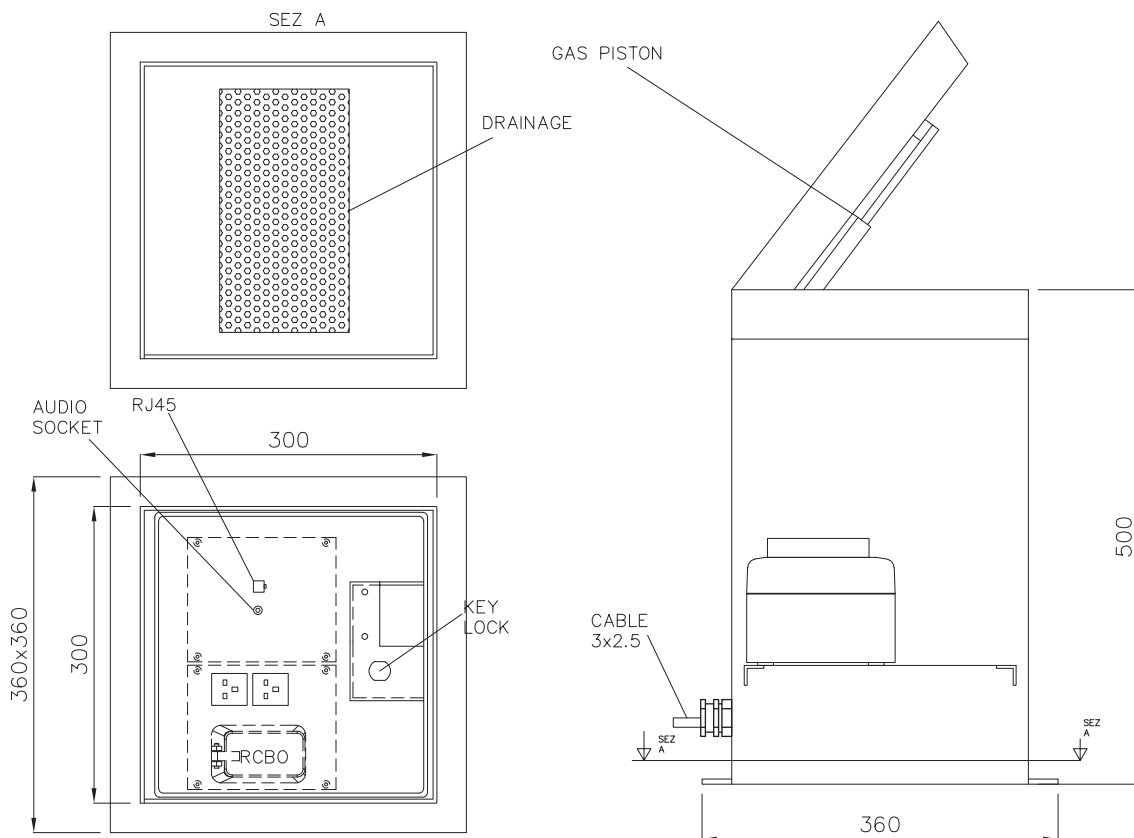


MECHANICAL CHARACTERISTICS

NEW VMR FLOORBOX 3030 concealed power tower for the distribution of energy and services. Floorbox h 250mm, lid filling depth 40mm. Tilting cover in stainless steel AISI304 resistant to loads up to 12 tons, prearranged for cables to allow use with plug inserted max. 16A. Semi-automatic handling with double gas spring. Structure made of AISI 304 stainless steel with thickness 5mm. Bayonet square-based lock.

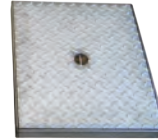
TECHNICAL DRAWING





MANHOLE COVERS AVAILABLE

A



STAINLESS
STEEL manhole
cover almond
finish 40KN

B



STAINLESS
STEEL manhole
cover almond
finish to fill
25KN

EQUIPMENT EXAMPLES

A

INDOORS/OUTDOORS

- Nr 1 interlocked socket 5p 16A
- Nr 1 RCBO's
- Nr 2 RJ45 cat.6 sockets
- Nr 1 power cable or terminal block

B

INDOORS/OUTDOORS

- Nr 2 interlocked sockets 3p 16A
- Nr 2 RCBO's
- Nr 1 power cable or terminal block

TYPE OF MOVEMENT

A

Raised manually by its key until the end of the stroke.

CONNECTION SYSTEM

- H07RN-F power cable (standard 3.00 mt)
- Terminal block

CONTAINMENT PIT

RBK concrete box

External dimensions 300x300mm with height 250mm

Presence of pre-drilling for line entry with a diameter of 120mm

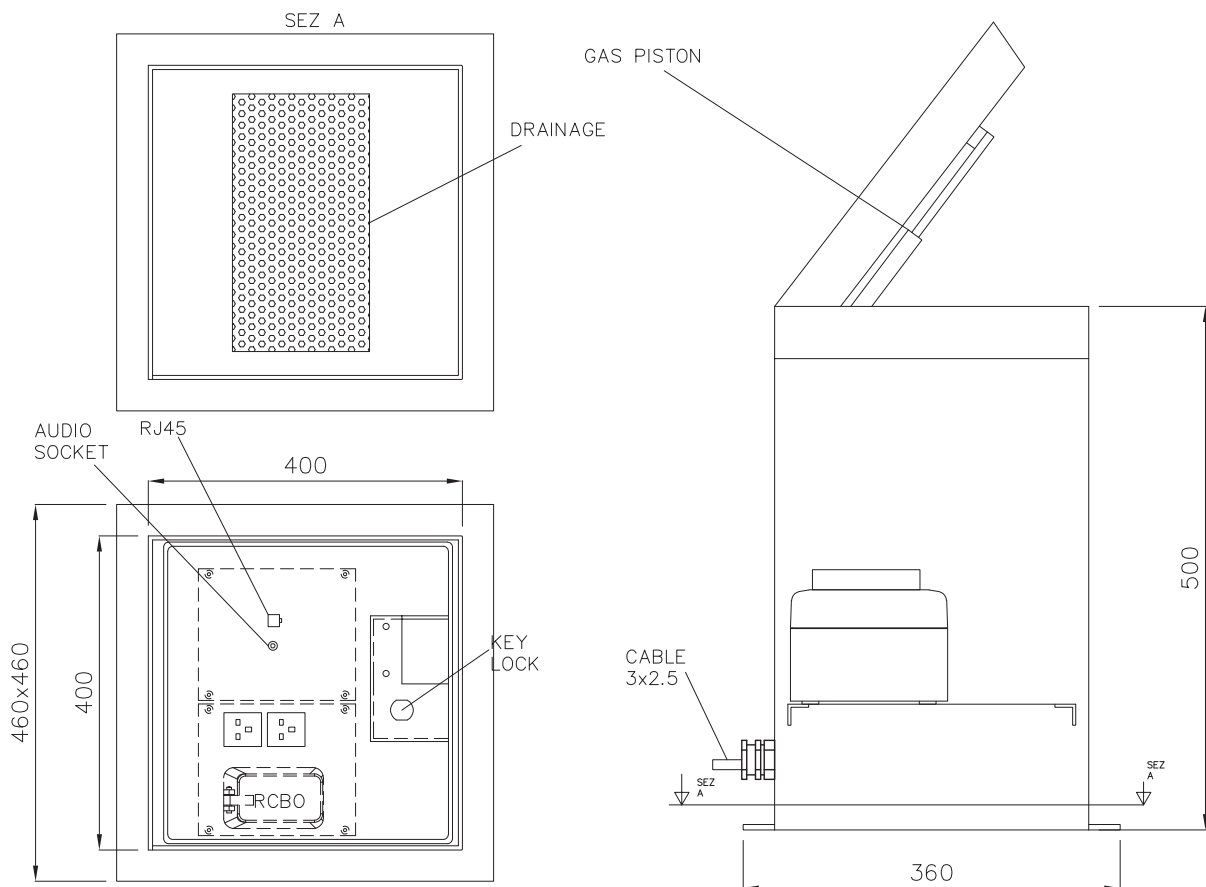
ADDITIONAL EQUIPMENT

- Electricity consumption meters
- Water consumption meters
- Compressed air couplings
- Audio/video connectors
- RJ-data/video/telephone jacks
- Water outlet/ valves $\frac{1}{2}$ " or $\frac{3}{4}$ "

MECHANICAL CHARACTERISTICS

NEW VMR FLOORBOX 4040 concealed power tower for the distribution of energy and services. Floorbox h 300mm, lid filling depth 40mm. Tilting cover in stainless steel AISI304 resistant to loads up to 12 tons, prearranged for cables to allow use with plug inserted max. 16A. Semi-automatic handling with double gas spring. Structure made of AISI 304 stainless steel with thickness 5mm. Bayonet square-based lock.

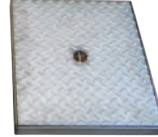
TECHNICAL DRAWING





MANHOLE COVERS AVAILABLE

A



STAINLESS
STEEL manhole
cover almond
finish 40KN

B



STAINLESS
STEEL manhole
cover almond
finish to fill
25KN

EQUIPMENT EXAMPLES

A

INDOORS/OUTDOORS

- Nr 1 interlocked socket 3p 16A
- Nr 1 RCBO's
- Nr 4 RJ45 cat.6 sockets
- Nr 1 power cable or terminal block

B

INDOORS/OUTDOORS

- Nr 1 interlocked socket 5p 16A
- Nr 1 RCBO's
- Nr 4 RJ45 cat.6 sockets
- Nr 1 power cable or terminal block

C

INDOORS/OUTDOORS

- Nr 1 interlocked socket 5p 32A
- Nr 1 RCBO's
- Nr 4 RJ45 cat.6 sockets
- Nr 1 power cable or terminal block

TYPE OF MOVEMENT

A

Raised manually by its key until the end of the stroke.

CONNECTION SYSTEM

- H07RN-F power cable (standard 3.00 mt)
- Terminal block

CONTAINMENT PIT

RBK concrete box

External dimensions 400x400mm with height 300mm

Presence of pre-drilling for line entry with a diameter of 120mm

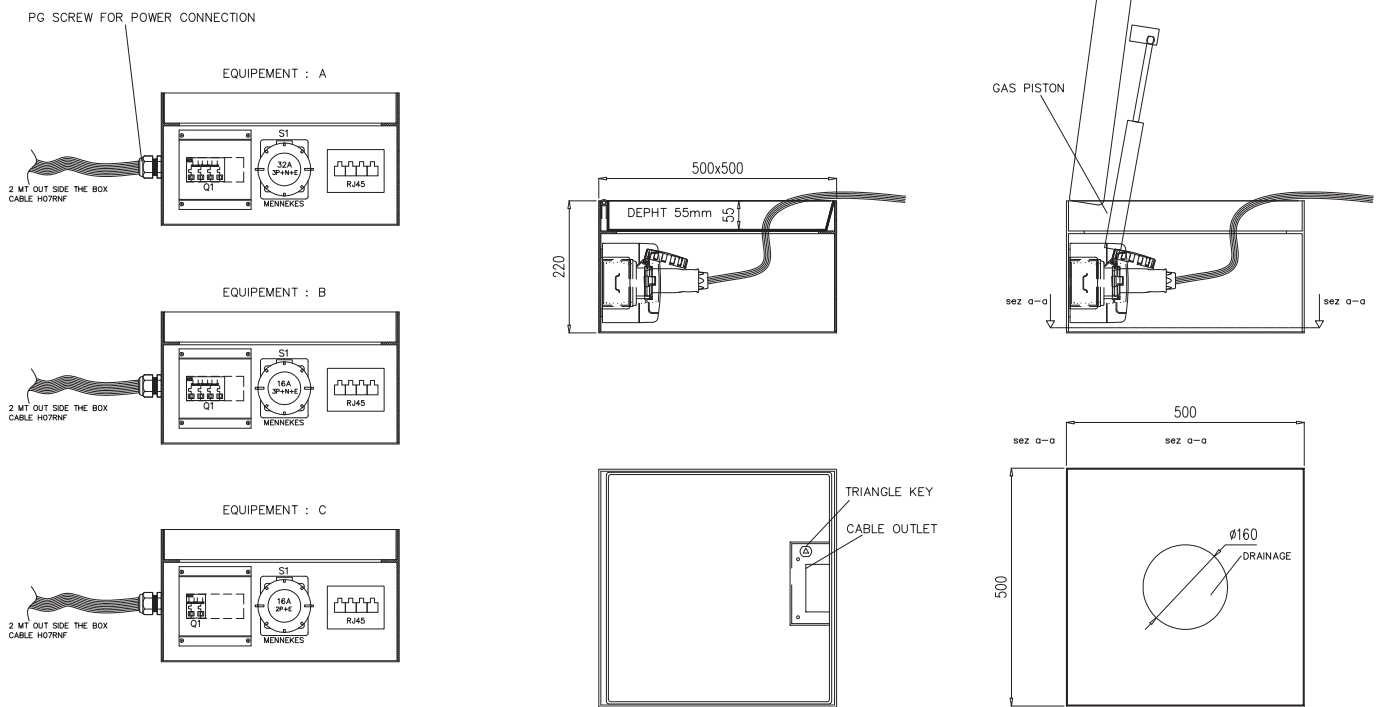
ADDITIONAL EQUIPMENT

- Electricity consumption meters
- Water consumption meters
- Compressed air couplings
- Audio/video connectors
- RJ-data/video/telephone jacks
- Water outlet/ valves $\frac{1}{2}$ " or $\frac{3}{4}$ "

MECHANICAL CHARACTERISTICS

NEW VMR FLOORBOX 5050 concealed power tower for the distribution of energy and services. Floorbox h 350mm, lid filling depth 40mm. Tilting cover in stainless steel AISI304 resistant to loads up to 12 tons, prearranged for cables to allow use with plug inserted max. 16A. Semi-automatic handling with double gas spring. Structure made of AISI 304 stainless steel with thickness 5mm. Bayonet square-based lock.

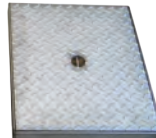
TECHNICAL DRAWING





MANHOLE COVERS AVAILABLE

A



STAINLESS
STEEL manhole
cover almond
finish 40KN

B



STAINLESS
STEEL manhole
cover almond
finish to fill
25KN

EQUIPMENT EXAMPLES

A

INDOORS/OUTDOORS

- Nr 1 interlocked socket 5p 32A
- Nr 1 RCBO's
- Nr 4 RJ45 cat.6 sockets
- Nr 1 power cable or terminal block

B

INDOORS/OUTDOORS

- Nr 1 interlocked socket 5p 16A
- Nr 1 RCBO's
- Nr 4 RJ45 cat.6 sockets
- Nr 1 power cable or terminal block

C

INDOORS/OUTDOORS

- Nr 1 interlocked socket 3p 16A
- Nr 1 RCBO's
- Nr 4 RJ45 cat.6 sockets
- Nr 1 power cable or terminal block

TYPE OF MOVEMENT

A

Raised manually by its key until the end of the stroke.

CONNECTION SYSTEM

- H07RN-F power cable (standard 3.00 mt)
- Terminal block

CONTAINMENT PIT

RBK concrete box

External dimensions 500x500mm with height 350mm

Presence of pre-drilling for line entry with a diameter of 120mm

ADDITIONAL EQUIPMENT

- Electricity consumption meters
- Water consumption meters
- Compressed air couplings
- Audio/video connectors
- RJ-data/video/telephone jacks
- Water outlet/ valves $\frac{1}{2}$ " or $\frac{3}{4}$ "