



PELICAN is a flexible and convenient solution to bring power and USB charging to previously unpowered areas. Its contemporary looks and advanced technology allows users to charge their devices wherever they are. PELICAN's stylish stable construction can easily be moved and positioned to suit the requirements of the situation.

Perfect for soft seating, breakout and occasional areas, PELICAN is designed with high usage in mind such as Cafe's, hotel foyers and airports. Available in a range of dynamic colour combinations and in 600mm or 900mm tall versions, PELICAN will integrate into your interior design for any space.



- Choice of 600mm or 900m height
- OE TUF-R A+C25W USB charger
- International power socket options
- Stylish and robust design
- PELICAN available with LED feature ring option (Not currently available with PELICAN DUO)

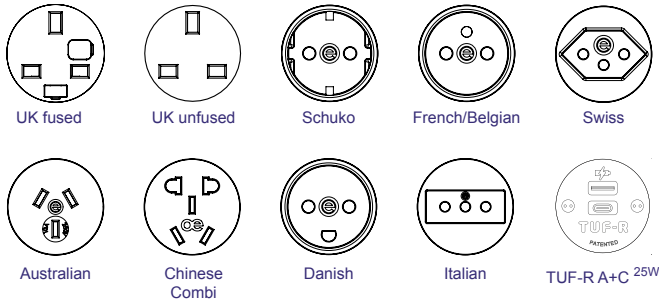
pelican duo

Available in a range of colours with 6 outlets



technical

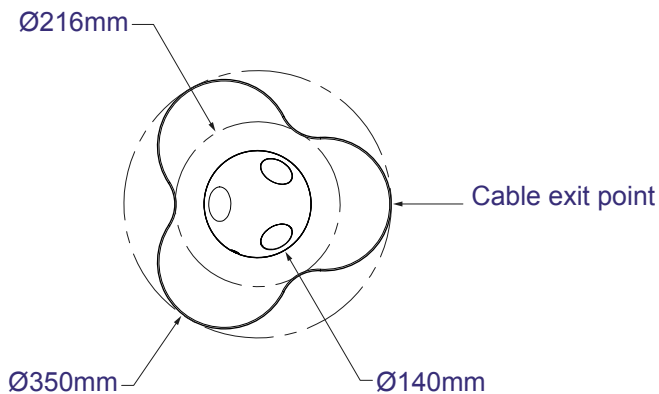
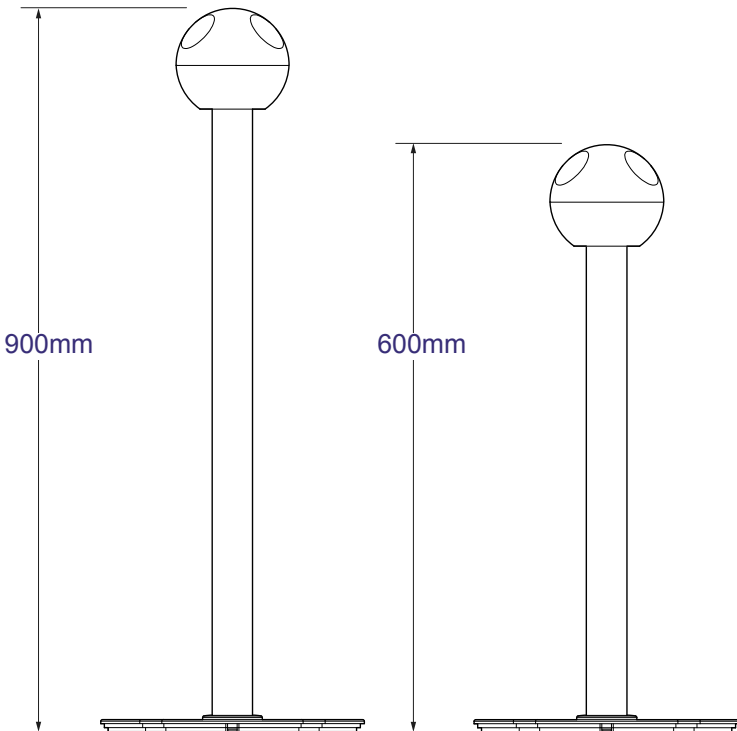
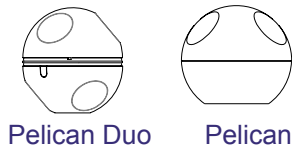
Common Modular Components



Unit Dimensions

PELICAN and Pelican Duo are available as standard in 900mm or 600mm height options.

Pelican Tops:



Configuration:

Pelican and Pelican Duo are available in both 60 (600mm high) and 90 versions. The three/six socket apertures may be configured with our class-leading 25W Twin USB Fast charger (TUF) and AC power sockets from the OE 42mm modular range. PELICAN is not available with data or AV sockets.

Construction

PELICAN comprises a high-strength and flame retardant PLUTO power module and underdome, bolted to a heavy duty aluminium extruded leg which is, in turn, bolted to a 15mm thick powder coated steel base. The steel base includes silicon feet for use on hard floor surfaces.

Installation

PELICAN is designed for on-site final assembly of Pluto unit, underdome, leg and base. See assembly instructions downloadable from OE Web site for full details.

Colours

PLUTO Dome and Underdome – Polished white, satin white, satin black or any available Pluto colour option. Socket fascias – black or grey.

Extruded leg – natural anodised as standard, matt white or black as options.

Steel base – RAL9006 powder coated as standard, matt white or black as options.

Power cable – white or black PVC or rayon braid to special order

Fusing:

UK sockets can be specified with 5 x 20mm anti-surge ceramic fuses, with colour-coded fuse clips to denote the rating (3.15A/5A)

Quality and Testing:

All PELICAN units are manufactured using ISO9001 quality controlled components and practices and are 100% tested before dispatch

- Visual: Configuration and appearance.
- Power sockets: Continuity, polarity, insulation & earth
- USB charger: Output voltage and resistance
- In addition Pelican Duo units are subjected to high voltage PAT testing. Not required for standard Pelican due to its double insulated power enclosure.

“We test every pin on every connection in every socket”

Power Cord

PELICAN is fitted as standard with a non-detachable power cord to mains AC plug of the required length for direct connection to a floor or wall mains AC socket. A power cord to GST 18 male connector can optionally be ordered for use with an OE starter lead. Where national or local regulations require, the power cord can be optionally fitted with suitably rated resettable over current protection.

CE Marking

All units built with UK and European socket types are CE marked by OE Electrics as complying with the latest EU Low Voltage, EMC and ROHS directives.

Certifications

PELICAN units are built to be compliant with: BS5733 using fully certified components.