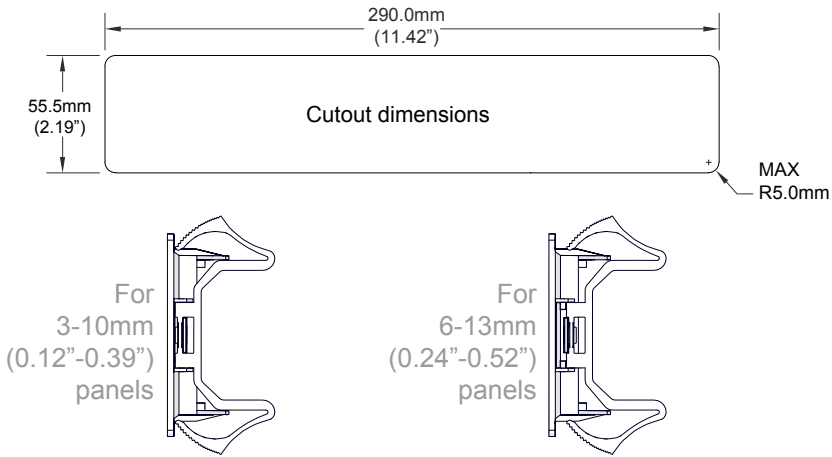
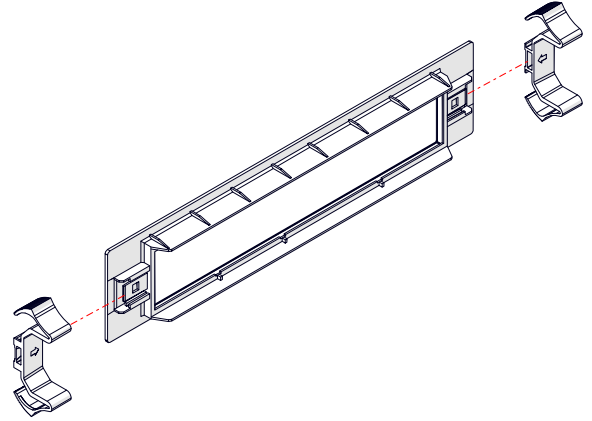


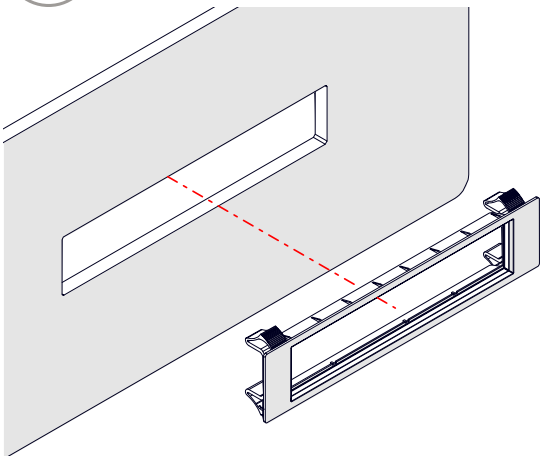
1 QikFrame Cutout Dimensions



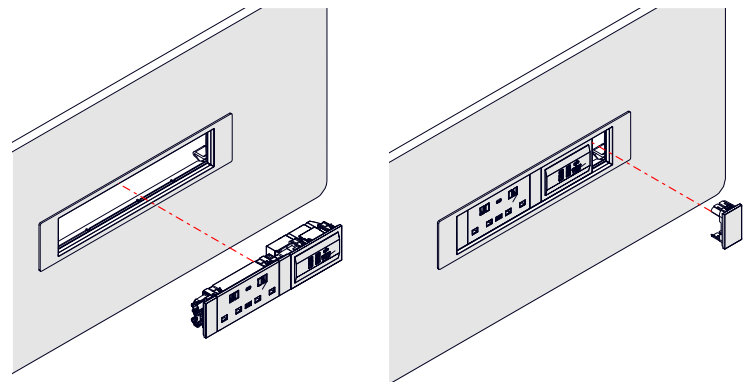
2 Attach clips to QikFrame



3 Place QikFrame into cutout

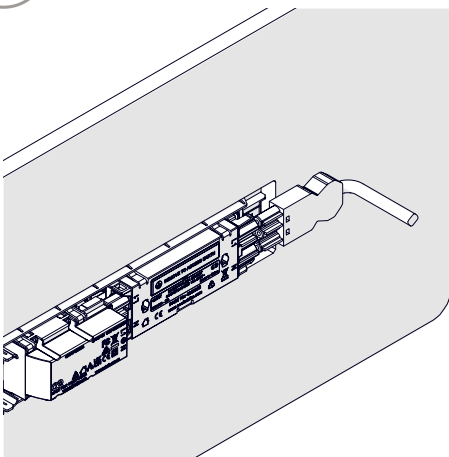


4 Add QikFit modules* to QikFrame



*NOTE: If using QF Power Modules please see INSTR1213 - Fitting 2 x QikFit Modules Together. pdf or view the video here: [QikFit Power Modules](#)

5 Attach power



6

