

QikFit Wieland

QikFit Wieland is part of our ANIMATE range, allowing users to power up our QIKPAC batteries in-situ.



Construction:

High strength fire retardant polycarbonate

Colours:

Black or white

Electrical Rating:

20A

Power Connectors:

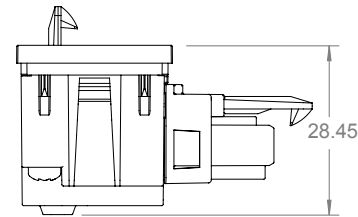
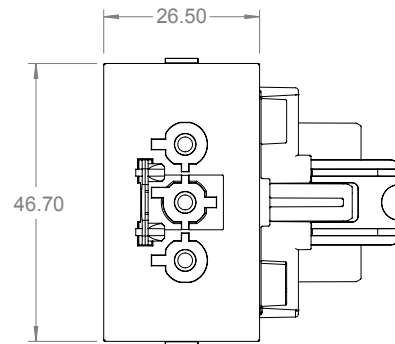
Power In: GST18i3 male

Power Out: GST18i3 female

Certifications:

IEC61535:2019

Dimensions:

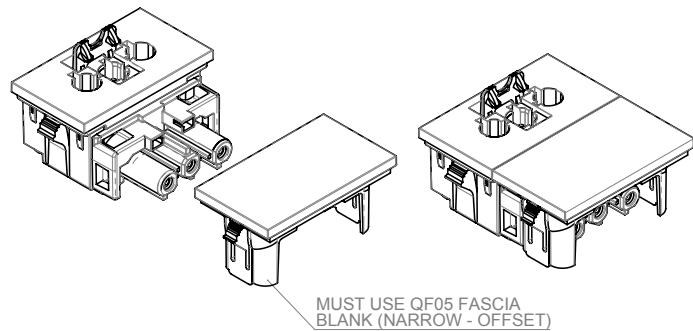


QikFit PSU

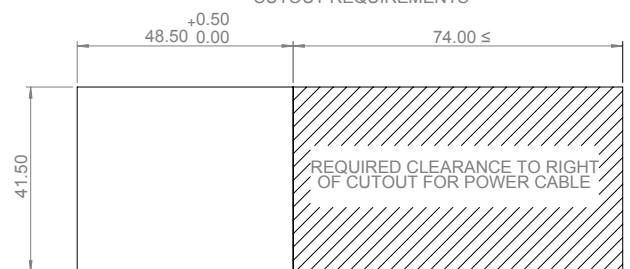
QikFit Wieland

Cutout Information*:

(*For QF05 Wieland Input only)



CUTOUT REQUIREMENTS



SUITABLE FOR PANEL THICKNESS OF 1.0 - 3.0mm

Please note:

- Installation couplers are intended for connection and disconnection without load, only.
- Dangerous compatibility between different manufacturer installation coupler systems is not automatically prevented by compliance with IEC 61535.
- Installation coupler systems are not replacements for the national domestic plug and socket outlet system.
- GST18 connectors on power cords must be secured via the retaining means provided.

QikFit IEC

QikFit IEC is part of our ANIMATE range, an alternative to QikFit Wieland. QikFit IEC allows QIKPAC batteries to be charged easily without the need to remove and dock them.

Construction:

High strength fire retardant polycarbonate

Colours:

Black or white

Electrical Rating:

10A

Power Connectors:

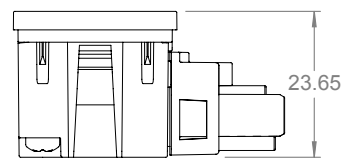
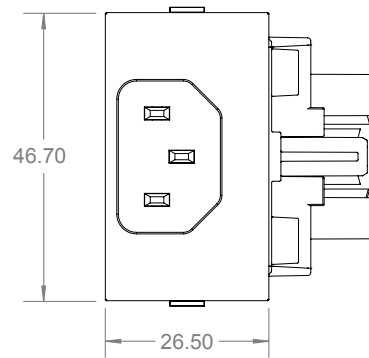
Power In: IEC C14

Power Out: GST18i3 female

Certifications:

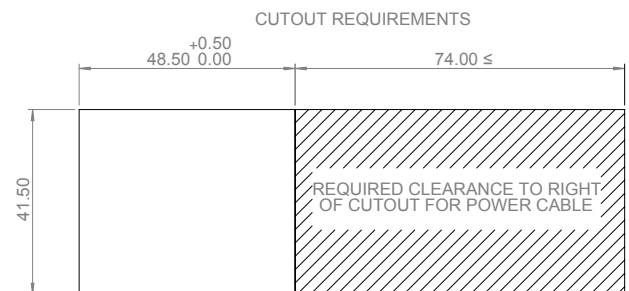
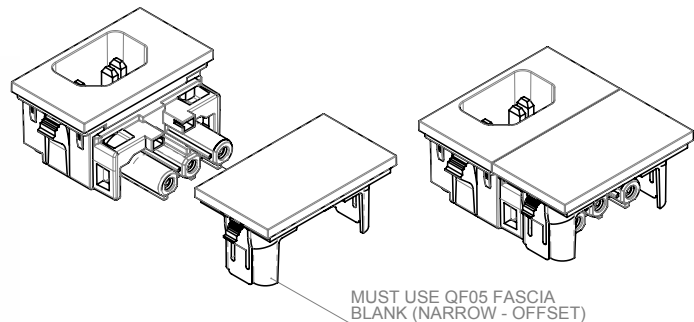
IEC61535:2019

Dimensions:



Cutout Information*:

(*For QF05 IEC Input only)



SUITABLE FOR PANEL THICKNESS OF 1.0 - 3.0mm



Please note:

- Installation couplers are intended for connection and disconnection without load, only.
- Dangerous compatibility between different manufacturer installation coupler systems is not automatically prevented by compliance with IEC 61535.
- Installation coupler systems are not replacements for the national domestic plug and socket outlet system.
- GST18 connectors on power cords must be secured via the retaining means provided.