

# QF TUF-R®/HP

TUF-R®/HP is OE's latest evolution in the TUF technology. TUF-R®/HP combined with our QikFit 30 PSU, splits the USB outlets from the AC/DC power supply thereby minimising the visible footprint whilst providing class leading USB charging.

TUF-R®/HP brings in the era of universal laptop charging through the full 60W rated Type C port while maintaining Intelligent Device recognition (IDR) on the Type A port.

Our QF5 housing enables you to incorporate TUF-R®/HP into QikFit units such as Pace with the PSU hidden beneath the surface. Alternatively fit QF5 TUF-R®/HP into a seat or other types of furniture with the PSU concealed below.



- Compatible with QikFit units and QikTray
- Patented unit replaceability
- Universal Type C Laptop charging
- Intelligent Device recognition (IDR) for optimal fast charging on Type A port

# technical

## Technical Specifications

USB Charging Outlets	1 x Type C (Reversible) 1 x Type A (Reversible)
Power In connector	Male GST08 DC connector
Rated Total Output Power	72W MAX
Output Voltages & Currents	<b>TYPE C:</b> MAX 60W 20V/3A, 15V/3A, 9V/3A, 5V/3A (PD3.0) 3.3 - 11.0V / 3.2A (PD PPS Mode) QC 2/3.0 5V/3A, 9V/2A, 12V/1.5A <b>TYPE A:</b> MAX 12W 5V / 2.4A IDR BC1.2, Apple 12W Mode Samsung Fast Charge
Input Voltage	24 - 30V DC
USB Connector Min. Insertions	Type A, 10,000 Type C, 10,000
Over Current Protection	Yes. Digital control at 3.3A. Auto reset with LED flash.
Short Circuit Protection	Yes. Digital control at 3.3A. Auto reset.
Over Temperature Protection	Auto Power Reduction to PD 45W Mode. 20V/2.25A, 15V/3A, 9V/3A, 5V/3A
Rated Operating Temperature	0° TO 25°C
User Replaceable USB module	Yes
Certifications – Safety	IEC 62368-1 : 2014 UL62368-1 cTUVus
Certifications –EMC	EN61204 : 2018 EN 50121-3-2 (railway) FCC part 15 (B)
Certifications ROHS	EU 2015/863

Alternative to the front page configuration with internal PSU in PACE desktop unit.



## Construction

High strength fire retardant polycarbonate

## Colours

Black or white

## Power cord options:

GST08 cable

## Quality & Testing

All QF TUF-R®/HP modules are manufactured using ISO9001 quality controlled components and practices and are 100% tested before dispatch:

- Visual: Configuration and appearance
- USB charger: Output voltage and resistance

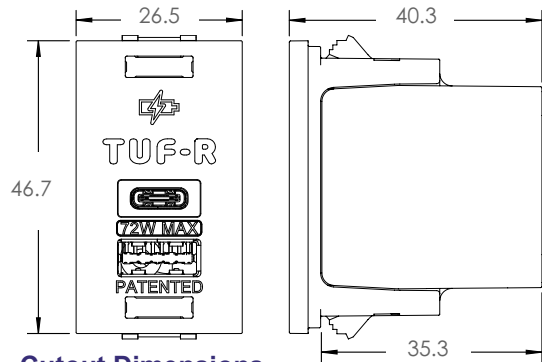
“We test every pin on every connection in every socket”

## CE Marking

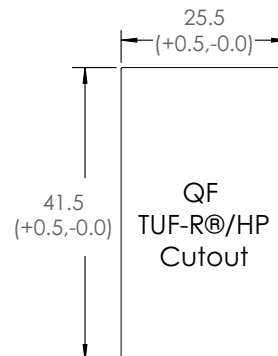
QF TUF-R®/HP modules are CE marked by OE Electrics as complying with:

- Electromagnetic Compatibility Directive 2014/30/EU
- Low Voltage Equipment Directive 2014/35/EU
- ROHS3 Directive EU 2015/863

## Unit Dimensions



## Cutout Dimensions



## Cable Options

GST08 cable can be extracted from QF TUF-R®/HP body for shallow depth fitting

