

QikFrame Steel



The QikFrame Steel allows the same flexibility in configurations as the QikFrame but with the elegance of brushed stainless steel.

Designed to fit in vertical panels 10mm - 40mm thick, the QikFrame Steel screws into the inside edge of the cutout, with all fixings disguised once installed.

Several QikFrame Steel units can be powered via a simple outlet, by linking them together with plug and play interconnecting leads. This means multiple units to be installed into one piece of furniture with just one mains connection.



USPs

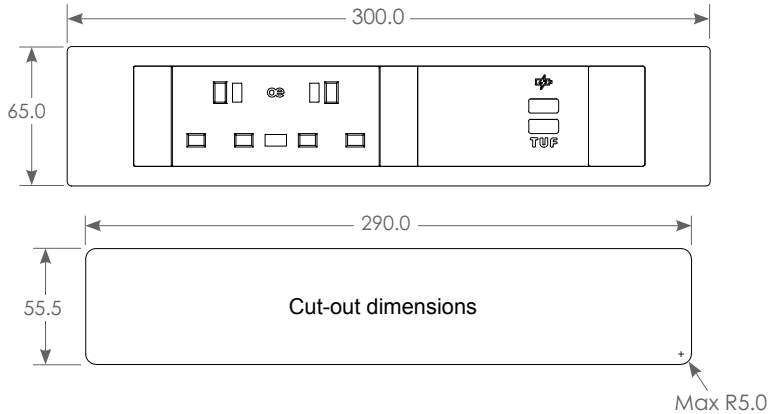
- Fits vertical panels from 10mm to 40mm
- Multiple units can be installed in one piece of furniture
- Stainless steel frame

technical

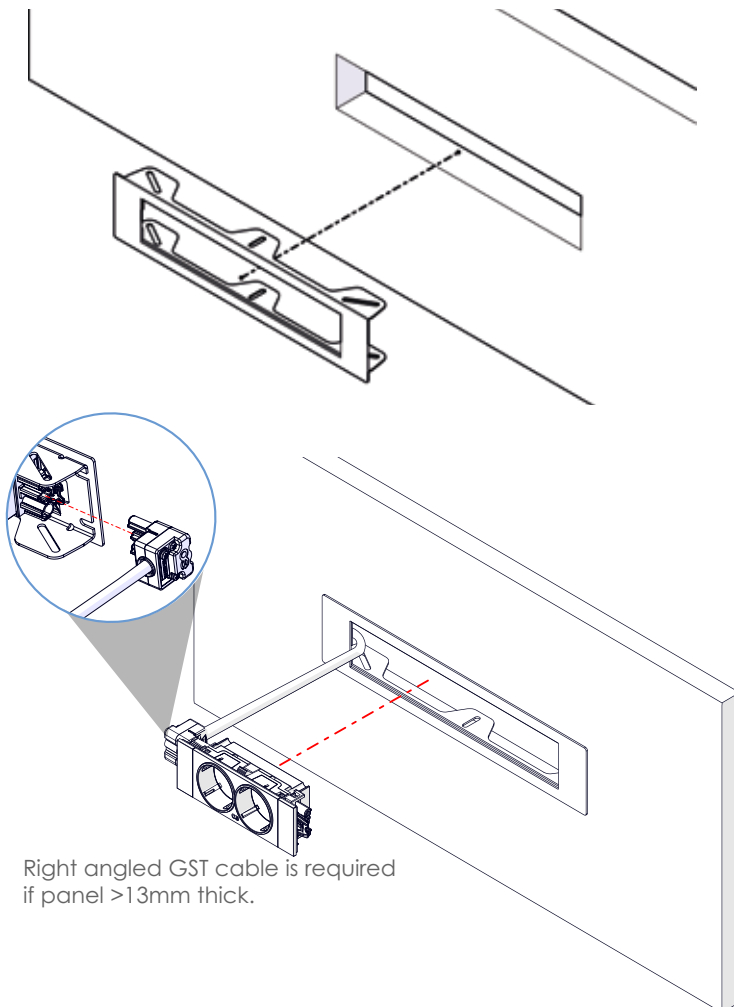
Common Modular Components*



QikFrame Steel Dimensions



QikFrame Steel Fitting



Configurations:

QikFrame Steel can be fitted with the following QikFit module combinations:

- 1 x QikFit 2G power module plus 4 x QF5 Data/AV modules **or**
- 2 x QikFit 2G power modules* **or**
- 1 x QikFit 2G power module, 1 x QikFit TUF module plus 1 x QF5 Data/AV module **or**
- 9 x QF5 data/AV modules

Construction:

Stainless Steel

Colour Options:

Brushed Stainless Steel

Mounting:

Six screw slots allow up to six fixing screws (not supplied) to be used to attach to panels 10mm - 40mm+ thick.

Power Entry:

QikFrame Steel requires a power cord fitted with a right angled GST18i3 female connector.

*Locking clips must be removed before assembly

