

CUSTOMER SIGNATURE:	
CUSTOMER PRINT NAME:	
DATE:	
ALL MEASUREMENTS ARE IN MILLIMETRES	
DRAWN: M. Harvey	DATE: 07/03/2023
CHECKED:	DATE:
<b>PART No.</b>	
SCALE: DO NOT SCALE SHEET: 1 OF 1	
COPYRIGHT © OE ELECTRICS	

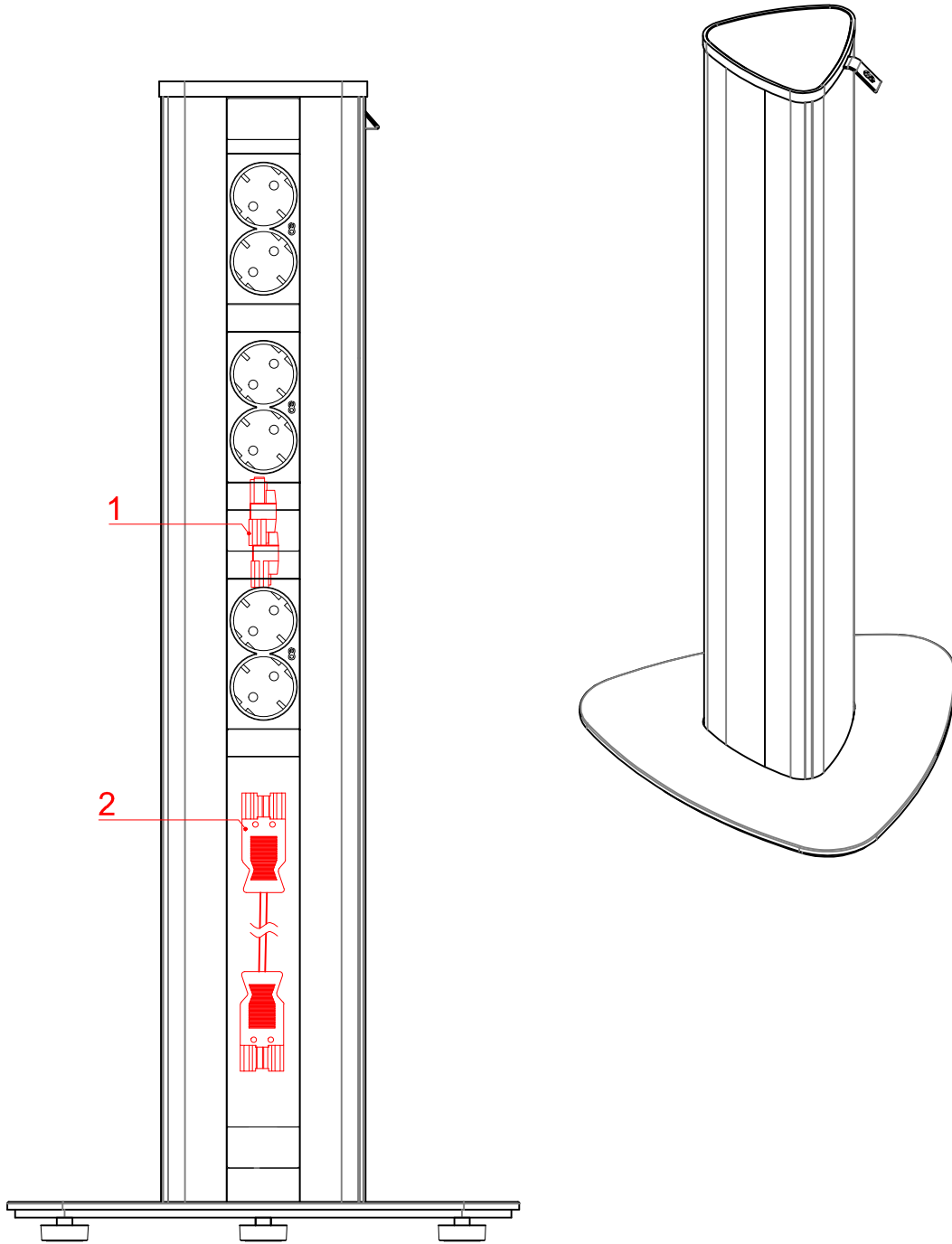
<b>POWER</b> GST input 6 x Schuko sockets	<b>COMMS</b>	<b>OTHER</b>
---	--------------	--------------


**OE Electrics Limited**  
 OE House,  
 Thomas Maddison Lane, Calder Park,  
 Wakefield, West Yorkshire, WF4 3GH, UK  
 TEL 44 0 1924 367255 FAX 44 0 1924 290652  
[www.oeelectrics.com](http://www.oeelectrics.com)

This drawing is the property of OE Electrics Limited and is protected by the Design Copyright Act. This drawing must not be copied or otherwise reproduced without the express written consent of OE Electrics.

Title  
**POST 1032 - Page 1 of 2 Basic Layout**

Drawing **POST 1032**



Item No	Part Description	Qty.
1	M/F Adaptor Block	2
2	GST - 500 MF/B	1

CUSTOMER SIGNATURE:

CUSTOMER PRINT NAME:

DATE:

ALL MEASUREMENTS ARE IN MILLIMETRES

DRAWN: M. Harvey      DATE: 07/03/2023

CHECKED:                      DATE:

**PART No.**

SCALE: DO NOT SCALE      SHEET: 1 OF 1

COPYRIGHT © OE ELECTRICS

POWER	COMMS	OTHER
Hardwired entry 6 x Schuko sockets		

**OE Electrics Limited**  
 OE House,  
 Thomas Maddison Lane, Calder Park,  
 Wakefield, West Yorkshire, WF4 3GH, UK  
 TEL 44 0 1924 367255 FAX 44 0 1924 290652  
[www.oeelectrics.com](http://www.oeelectrics.com)

This drawing is the property of OE Electrics Limited and is protected by the Design Copyright Act. This drawing must not be copied or otherwise reproduced without the express written consent of OE Electrics.

Title  
**POST 1032 - Page 2 of 2 Cabling Solution**

Drawing **POST 1032**