



IRIS

Istanium® LED



Linear spotlight for architectural lighting

FIELDS OF APPLICATION

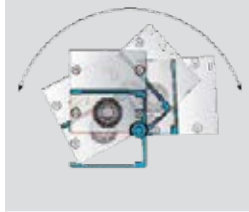
Monuments | Signposting | Parks and gardens

IRIS LED

Linear spotlight for architectural lighting

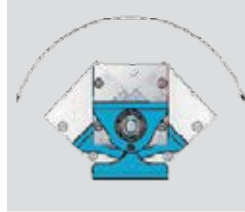


SIMON IRIS LED CONFIGURATOR



MODEL SLF, MLF, LLF, HLF

Rotation angle: 110°
Lateral fixing, flat side covers
SLF: S size (300 mm) / 18 W (input only)
MLF: M size (600 mm) / 30 W (input/output)
LLF: L size (900 mm) / 43 W (input/output)
HLF: H size (1200 mm) / 55 W (input/output)



MODEL STF, MTF, LTF, HTF

Rotation angle: 95°
Top central fixing, flat side covers
STF: S size (300 mm) / 18 W (input only)
MTF: M size (600 mm) / 30 W (input/output)
LTF: L size (900 mm) / 43 W (input/output)
HTF: H size (1200 mm) / 55 W (input/output)

DIFFUSER	WIRED	INPUT VOLTAGE PROTECTION	OPTICS	COLOUR TEMP.	LED/POWER	CURRENT	DIMMING
GTF	0 m	230 V ac CI	C09	NDL	12 LED 18 W	350 mA	1N
Flat Transp. Glass	Without wiring 7-pole XLR connector	Mains power	Conical 9°	Neutral daylight	S (300 mm) / 18 W	350 mA	No dimming
			C28	WDL	24 LED 30 W		DMX
			Conical 28°	Warm daylight	M (600 mm) / 30 W		DMX512 protocol
			C45	CDL	36 LED 43 W		DALI
			Conical 45°	Lux, cold daylight	L (900 mm) / 43 W		DALI Protocol
			EA	DDL	48 LED 55 W		
			Elliptical 10x50°	Dynamic daylight	H (1200 mm) / 55 W		
				RGB			
				RGB			
				R3 W			
				RGB+NDL			

FINISHES			CONFIGURATION LIMITATIONS
AS Aluminium	BK9005 RAL 9005 black	WH9016 White Ral 9016	DDL, RGB, R3 W only for DMX or DALI dimming

FIXING SYSTEMS	
<p>Lateral Fixing Wide rotation radius for light flux orientation (110°). Large luminaire measures (high). System recommended for bathing walls from top to bottom by attaching the luminaire to the wall itself.</p>	<p>Top Central Fixing Reduced rotation radius for light flux orientation (95°). Reduced luminaire height. System recommended for lighting things such as monuments, large objects, etc.</p>







SIMON IRIS LED BASE REFERENCES



IRIS LED, LF model luminaire (lateral fixing, flat cover), flat, transparent glass diffuser, with electronic gear. **Class I** luminaire. Not pre-wired, with 7-way in-line connector, 230 V ac / 50 Hz power supply. Standard finish in AS colour.

SIZE	COLOUR TEMPERATURE	OPTICS	LED/POWER	DIMMING	CODE
S (300 mm) Power supply input only	NDL. Neutral daylight	C09	12 LED 18 W	1N	11-0111-241
	NDL. Neutral daylight	EA	12 LED 18 W	1N	11-0111-242
	RGB	EA	12 LED 18 W	DMX	11-0111-512
M (600 mm) Power supply input and output	NDL. Neutral daylight	C09	24 LED 30 W	1N	11-0211-241
	NDL. Neutral daylight	EA	24 LED 30 W	1N	11-0211-242
	RGB	EA	24 LED 30 W	DMX	11-0211-512
L (900 mm) Power supply input and output	NDL. Neutral daylight	C09	36 LED 43 W	1N	11-0311-241
	NDL. Neutral daylight	EA	36 LED 43 W	1N	11-0311-242
	RGB	EA	36 LED 43 W	DMX	11-0311-512
H (1200 mm) Power supply input and output	NDL. Neutral daylight	C09	48 LED 55 W	1N	11-0411-241
	NDL. Neutral daylight	EA	48 LED 55 W	1N	11-0411-242
	RGB	EA	48 LED 55 W	DMX	11-0411-512

ACCESSORIES DIRECT FROM FACTORY

ACCESSORY	DESCRIPTION	CODE
	Power cable, 2 m, 7-pole	11-9010-020
	Extension cable, 0,4 m, with IP68 connectors	11-9020-004
	Extension cable, 0,6 m, with IP68 connectors	11-9020-006
	Extension cable, 0,9 m, with IP68 connectors	11-9020-009
	Extension cable, 1,5 m, with IP68 connectors	11-9020-015
	Extension cable for IP68 in-line connectors, 1 m (not including connectors)	11-9070-001
	7-pole IP68 male in-line connector Allows extension cables to be made to measure.	11-9060-100
	7-pole IP68 female in-line connector Allows extension cables to be made to measure.	11-9060-200
	IP68 end plug, end luminaire	11-9050-000
	3-pole connector, 2xM20, IP68 without CPU	11-9060-300
	6-pole connector, 3xM25, IP68 with CPU	11-9060-400
	DMX addresser	11-9102-000
	4-output amplifier, RACK format	11-9112-100
	Stage/show programming service	Consult us

INTERCONNECTION

Table of extension harness between IRIS luminaires installed in continuous series (side to side).

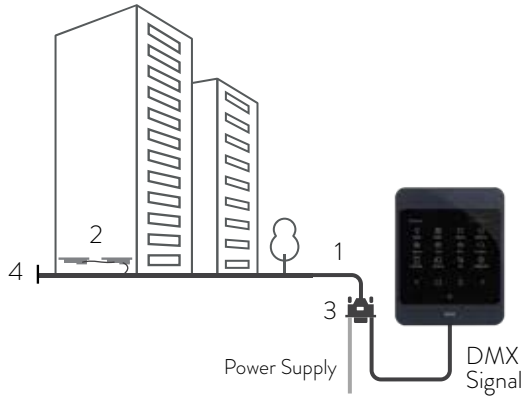
From / to	300 mm IRIS	600 mm IRIS	900 mm IRIS	1200 mm IRIS
300 mm IRIS				
600 mm IRIS	11-9020-004	11-9020-006	11-9020-006	11-9020-009
900 mm IRIS	11-9020-004	11-9020-006	11-9020-006	11-9020-009
1200 mm IRIS	11-9020-004	11-9020-006	11-9020-009	11-9020-009



CONNECTION DIAGRAM

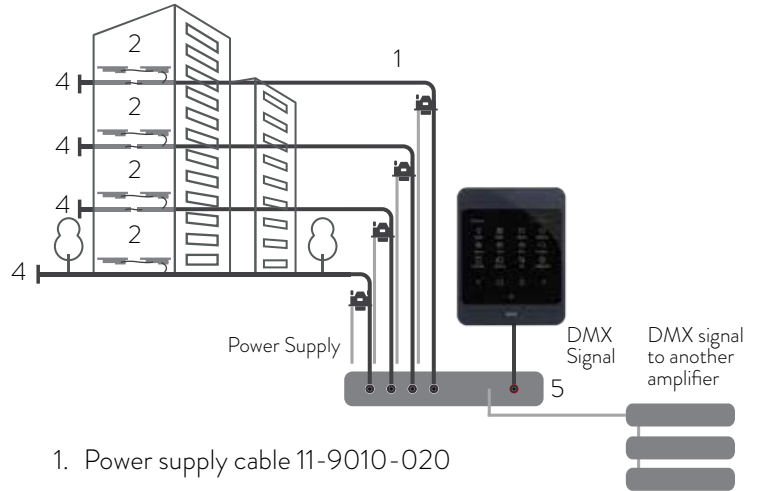


Installation with a maximum of 15 luminaires



1. Power supply cable 11-9010-020
2. Extension cable. See codes according to the required length
3. 6-Pole connector 11-9060-400 In installations without DMX, use 3-pole connector 11-9060-300
4. End plug 11-9050-000

Installation with more than 15 luminaires



1. Power supply cable 11-9010-020
2. Extension cable. See codes according to the required length
3. 6-Pole connector 11-9060-400 In installations without DMX, use 3-pole connector 11-9060-300
4. End plug 11-9050-000
5. DMX amplifier 11-9112-100

TECHNICAL DATA

Power supply cable: 3 x 1.5 mm² H07rn-F type
 DMX signal cable: Belden 3105 A type
 Maximum distance from the DMX controller to the last luminaire 100 m

Note: Failure to comply with these restrictions may cause a malfunction in the installation.

Maximum distance from DMX controller to the amplifier, 100 m
 Maximum distance from the DMX amplifier to the last luminaire 100 m
 Maximum 15 luminaires per DMX output
 For installation with DALI, follow the wiring for installations with a maximum of 15 luminaires

SCENA LIGHTING CONTROL SYSTEM



Programming directly from the screen.



Professional App. Display of multiple SCENA systems in a single interface.

Download at:



Optional user App for smartphone and tablet. Direct access to the most frequently used functions.

Download at:





TOTAL LIGHTING CONTROL



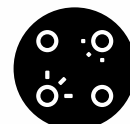
Dimming



Colour



Groups



Scenarios



Sequences



Constant
light control



Scheduling



Occupation

SIMON IRIS LED TECHNICAL INFORMATION

PHOTOMETRIC DATA*

LED optical group

Colour / Colour temperature	WDL 3000 - 3500 K NDL 3800 - 4200 K CDL 6000 - 7000 K DDL 3000 - 7000 K (dynamic) R3 W (RGB + NDL) RGB
-----------------------------	---

Colour Rendering Index	> 70 (CDL) > 80 (NDL and WDL)
------------------------	----------------------------------

LED lifetime (L70B10 at 25 °C)	50 000 h
--------------------------------	----------

Light flux	1581 to 3465 lm
------------	-----------------

Luminaire efficiency	Up to 63 lm/W
----------------------	---------------

Photometric distribution	C09, C28, C45, EA (10° x 50°)
--------------------------	-------------------------------

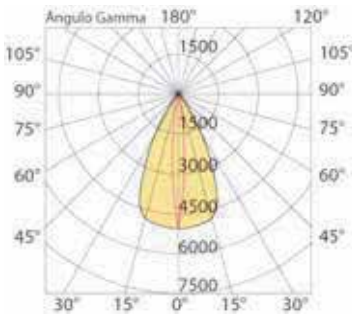
Inst. ULOR	< 1% - (0° - 5° spotlight)
------------	----------------------------

LEDs	12, 24, 36, 48
------	----------------

* Depending on model / ** On request

PHOTOMETRIC DISTRIBUTION

1200 mm model with EA optics



H	1	2	3	4	5
D m. (Alpha)	0.18	0.35	0.53	0.71	0.89
D m. (Beta)	1.01	2.02	3.03	4.04	5.04
Max. Lux	17489	4372	1943	1093	700
Med Lux	9424	2356	1047	589	377
§					
Beta = 26.8° + 26.8° G = 0.0					
Alpha = 5.1° + 5.1° G = 0.0					



ELECTRICAL PARAMETERS*

Power according to models	12 LED 18 W	24 LED 30 W	36 LED 43 W	48 LED 55 W
---------------------------	----------------	----------------	----------------	----------------

Supply current	350 mA
----------------	--------

Operating temperature	-30 °C ... +70 °C
-----------------------	-------------------

Dimming	1N (100%) No dimming DALI** DMX512A
---------	--

Supply voltage	100 - 240 V ac
----------------	----------------

Frequency	50/60 Hz
-----------	----------

Luminaire electrical protection	Electronic – Class I
---------------------------------	----------------------

* Depending on model / ** On request

PHYSICAL DIMENSIONS

Fastening	From an adaptable surface with two different brackets; lateral and top central.
-----------	---

IP rating	IP66
-----------	------

IK rating	IK10
-----------	------

Weight	Min. 1.2 kg – 300 mm model Max. 8.5 kg – 1200 mm model
--------	---

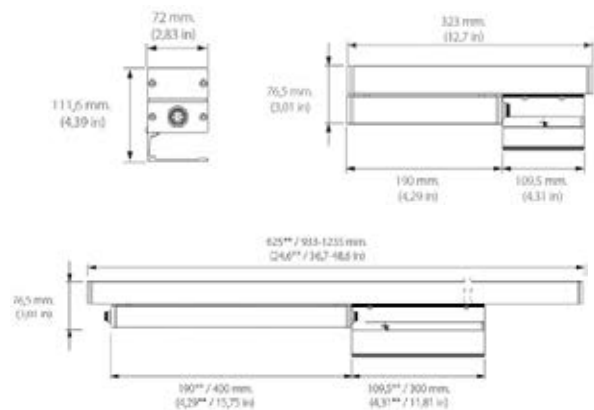
MATERIALS

Base	Aluminium
------	-----------

Diffuser	Glass with UV protection
----------	--------------------------

Recyclability	
---------------	--

DIMENSIONS



FINISHES

AS (aluminium)
BK9005
WH90016

CERTIFICATES

Luminaire according to: EN 60598-2-5 / EN 62493 / EN 55015 / EN 61547 / EN61000-3-2 / EN 50581



Warranty

2 years.

Items supplied and packaging

Packed in recyclable cardboard box with identification label to protect the product during transport and storage.

Maintenance

Keep the diffuser surface clean to obtain maximum light flux. Use a damp cloth without any aggressive products or detergents.

Lubricate the sealing rings and replace them when they become cracked.

Lubricate closures and/or hinges of moving parts.

Keep thermal radiation surface clean to prevent loss of light flux and shortening of the lifespan of the LEDs.